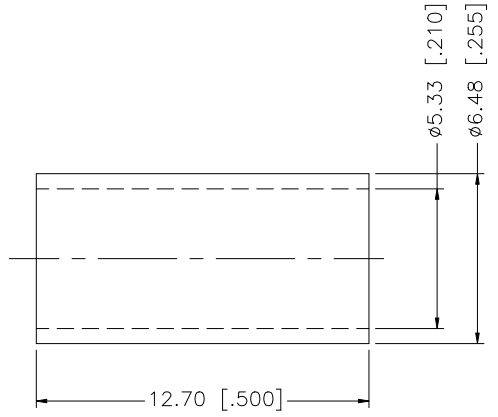
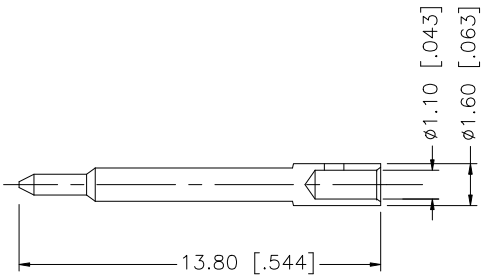
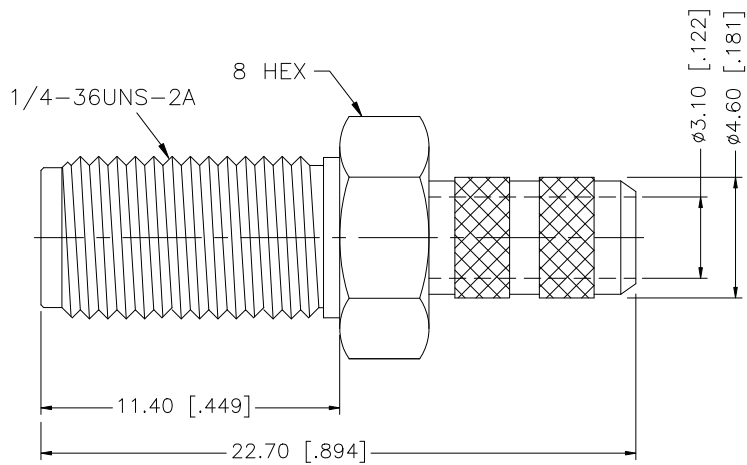
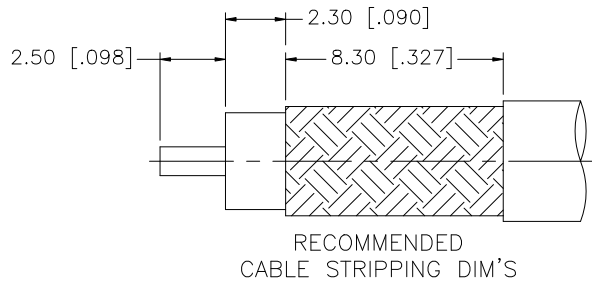


REV.	DATE	DESCRIPTION
NC	10/10/07	INITIAL RELEASE



DESCRIPTION	MATERIAL	FINISH	QTY
FERRULE	COPPER	GOLD	1
CONTACT PIN	BRASS	GOLD	1
INSULATOR	TEFLON	NATURAL	1
BODY	BRASS	GOLD	1

UNLESS OTHERWISE SPECIFIED DIMENSIONS ARE IN MILLIMETERS. DIMENSIONS IN [] ARE IN INCHES AND FOR CUSTOMER REFERENCE ONLY.

UNLESS OTHERWISE SPECIFIED TOLERANCES FOR MILLIMETERS ARE:
0.5 - 8mm ± 0.20mm
8 - 30mm ± 0.40mm
30 - 120mm ± 0.50mm

UNLESS OTHERWISE SPECIFIED TOLERANCES FOR INCHES ARE:
.020 - .315 ± ± 0.007"
.315 - 1.180 ± ± 0.015"
1.180 - 4.724 ± ± 0.020"

DO NOT SCALE DRAWING

APPROVALS	DATE
DRAWN G.R.S.	10/10/07
CHECKED	
ISSUED	
SHEET 1 OF 1	
CAD FILE	C:/132/132116RP.DWG

Amphenol Connex

PART DESCRIPTION
**SMA REVERSE POLARITY CRIMP JACK
(FOR RG-58/U, 58C/U CABLE)**

PART NO.
132116RP

DWG. NO.	132116RP.DWG	REV.	NC	SIZE	A	SCALE	NA
----------	--------------	------	----	------	---	-------	----